

Flood Series

Plastic Flood



FL10F13



FL10F26

Housing:

Black Plastic Housing, Weatherproof Housing Gasket

Reflector:

Aluminum Reflector

Lens:

Plastic Lens

Socket:

Plug-In Type, GX23-2

Mounting:

2½" Stem with ½" NPT Threads

Wattage:

FL10F13: 1 x 13w Compact Fluorescent

FL10F26: 2 x 13w Compact Fluorescent

Listing & Ratings:

CSA: Listed for Wet Locations

Lowest Ambient Striking Temperature

is 0°C/32°F

Add: PC1 120V Photocell (Field Installed)

PC2 208-277V Photocell (Field Installed)

Other Wattages Available Upon Request.



Sun Pacific Power

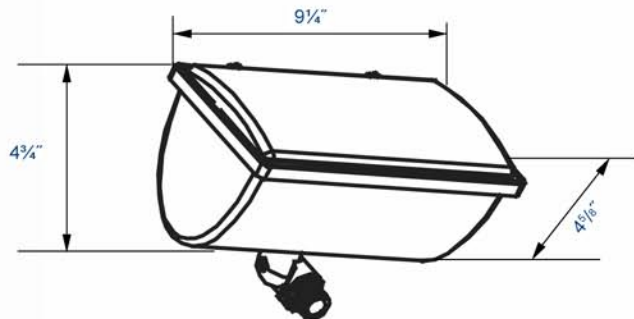
Building A Brighter Future...

Complete Units (Lamp Included)

Catalog #	Wattage	Voltage	Lamp	Ballast
FL10F13	1 x 13	120	PL	Magnetic
FL10F26	2 x 13	120	PL	Magnetic

FL

DIMENSIONS



FL10F13
FL10F26

**Sun Pacific
Power Corporation**
Phone: 888-845-0242
Fax: 732-845-2141
info@sunpacificpower.com



Sun Pacific Power

Building A Brighter Future...

FL

Catalog #	Description
FLSTK	Heavy-Duty Ground Stake, Built-in Wiring Compartment
FLPTF	Post Top Fitter, Die Cast Aluminum, Three (3) 1/2" Coin Plugs

Flood Series

Plastic Flood

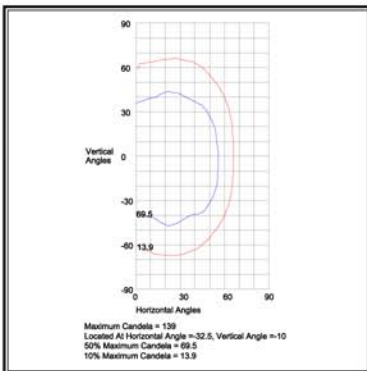


FLSTK

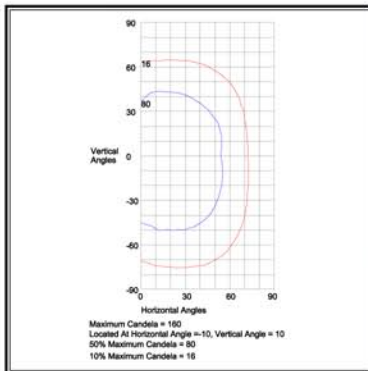


FLPTF

PHOTOMETRICS



FL10F13



FL10F26

Sun Pacific
Power Corporation
 Phone: 888-845-0242
 Fax: 732-845-2141
info@sunpacificpower.com