

Induction Light Series

Thermalux Induction Garage Lighter



TGL40I

Housing:

Round Die Cast Hinged Aluminum Housing with Built-in Heat Sinks is Designed with Induction Ballasts in Mind. Textured Architectural Powdercoat Finish Over a Chromate Conversion Coating Ideal for Cold storage, Garage Lighting, or Low Bay Applications

Reflector:

White Powdercoat Steel Reflector

Lens:

Extended Clear Polycarbonate Prismatic Drop Lens.

Mounting:

Easy-Hang Bracket Fits Standard 4" Electrical Box, Allowing One-Person Installation. Pendant Mount Available.

Wattage:

Induction: 40, 80, 100 or 120w, 5000K

Listing & Ratings:

CSA: Listed for Wet Locations

Custom Colors Available on Request.



Sun Pacific Power

Building A Brighter Future...

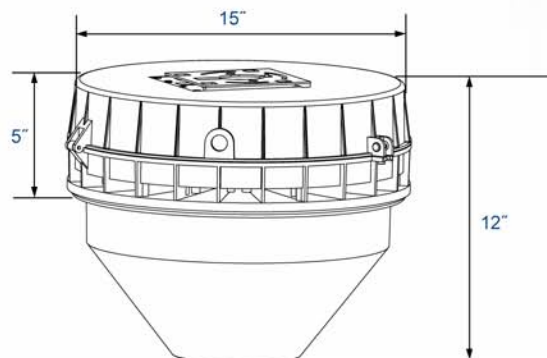
Complete Units (Includes Lamp & Ballast)

Catalog #	Wattage	Voltage	Lamp	Ballast
TGL40I40U5K*	40	120-277	Induction	Electronic
TGL40I80U5K*	80	120-277	Induction	Electronic
TGL40I100I205K*	100	120	Induction	Electronic
TGL40I100I2405K*	100	240	Induction	Electronic
TGL40I100I2775K*	100	277	Induction	Electronic
TGL40I120U5K*	120	120-277	Induction	Electronic

*Specify Color: BZ=Bronze, WH=White, GY=Gray

IN

DIMENSIONS



TGL40I

**Sun Pacific
Power Corporation**
Phone: 888-845-0242
Fax: 732-845-2141
info@sunpacificpower.com



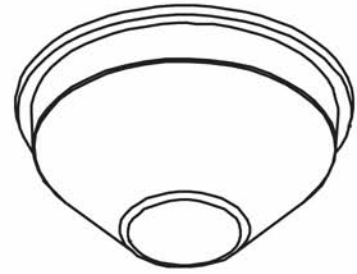
Sun Pacific Power

Building A Brighter Future...

Catalog #	Description
VNGL40PC	Extended Clear Prismatic Polycarbonate Lens
VNGL30PM	Pendant Mount, Includes Junction Box, Slide Plate, Locknut, & Hardware

Induction Light Series

Thermalux Induction Garage Lighter

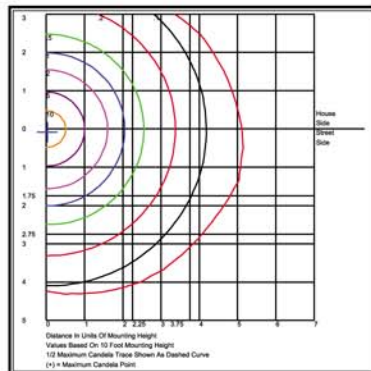


VNGL40PC



VNGL30PM

IN



TGL401120

PHOTOMETRICS

IN-112

Sun Pacific Power Corporation
 Phone: 888-845-0242
 Fax: 732-845-2141
info@sunpacificpower.com