



**Sun Pacific Power**  
Building A Brighter Future...

**Vandal Resistant Series**

**Medium Vandal Resistant  
Fixture HID & Fluorescent**



**VN30,  
VN30HF42EL**

**Housing:**

Die Cast Aluminum Housing, 1/2" Coin Plugs with O-rings for Conduit & Photocell on Two Sides & Back, Textured Architectural Bronze Powdercoat Finish Over a Chromate Conversion Coating

**Reflector:**

White Powdercoat Steel Reflector

**Lens:**

Clear Prismatic Polycarbonate Lens

**Socket:**

**VN30:** Porcelain 4KV Pulse Rated Medium Base Socket with Nickel Plated Screw Shell

**VN30HF:** Plug-In Type, GX24Q-4

**Mounting:**

Mount Directly Over a Recessed Electrical Box or use 1/2" Surface Conduit.

**Wattage:**

High Pressure Sodium: 50 to 70w

Metal Halide: 35 to 70w

Compact Fluorescent: 1 x 26 to 42w

**Listing & Ratings:**

CSA: Listed for Wet Locations

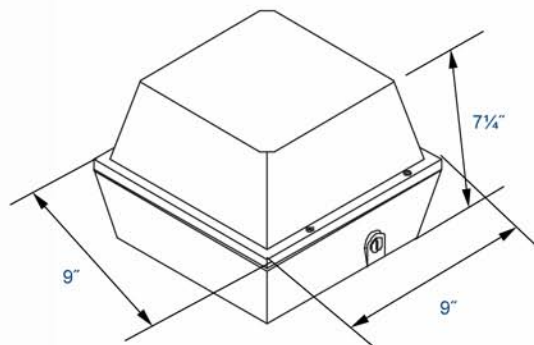
**Add:** PC1 120V Photocell (Field Installed)  
PC2 208-277V Photocell (Field Installed)

Other Wattages & Custom Colors Available Upon Request.

Kit(s)				
Catalog #	Description			
VN30	Medium Vandal Resistant, HID Kit			
VN30HF	Medium Vandal Resistant, Single Fluorescent Kit			
Complete Units (Lamp Included)				
Catalog #	Wattage	Voltage	Lamp	Ballast
VN30H35R120L	35	120	HPS	R-NPF
VN30H50R120L	50	120	HPS	R-NPF
VN30H70R120L	70	120	HPS	R-NPF
VN30H50DL	50	120/277	HPS	HX-HPF
VN30H70QL	70	Quad	HPS	HX-HPF
VN30M50DL	50	120/277	MH	HX-HPF
VN30M70QL	70	Quad	MH	HX-HPF
VN30HF26EL	1 x 26	120-277	PL	Electronic
VN30HF32EL	1 x 32	120-277	PL	Electronic
VN30HF42EL	1 x 42	120-277	PL	Electronic

**VR**

**DIMENSIONS**



**VN30,  
VN30HF42EL**

**VR-5**

**Sun Pacific  
Power Corporation**  
Phone: 888-845-0242  
Fax: 732-845-2141  
info@sunpacificpower.com



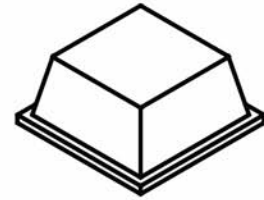
# Sun Pacific Power

Building A Brighter Future...

Catalog #	Description
VN30PC	Clear Polycarbonate Replacement Lens
VN30PW	White Polycarbonate Replacement Lens

## Vandal Resistant Series

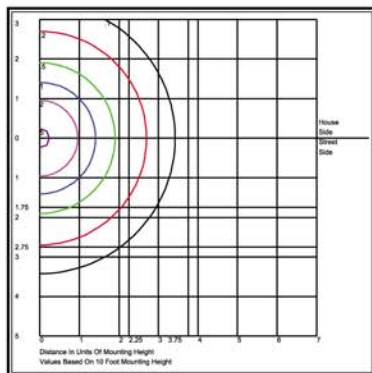
### Medium Vandal Resistant Fixture HID & Fluorescent



VN30PC,  
VN30PW

VR

PHOTOMETRICS



VN30M70

**Sun Pacific  
Power Corporation**  
Phone: 888-845-0242  
Fax: 732-845-2141  
[info@sunpacificpower.com](mailto:info@sunpacificpower.com)

VR-6