

Induction Light Series

Large Vandal Resistant Fixture



VN40HI

Housing:

Die Cast Aluminum Housing, 1/2" Coin Plugs with O-rings for Conduit & Photocell on Two Sides & Back, Textured Architectural Bronze Powdercoat Finish Over a Chromate Conversion Coating.

Reflector:

White Powdercoat Steel Reflector

Lens:

Clear Prismatic Polycarbonate Lens

Mounting:

Mount Directly Over a 4" Recessed Outlet Box, or use 1/2" Surface Conduit or Quick-Mount Bracket.

Wattage:

Induction: 40w, 5000K

Listing & Ratings:

CSA: Listed for Wet Locations

(Damp Locations When Used with VNQM)

Custom Colors Available Upon Request.



Sun Pacific Power

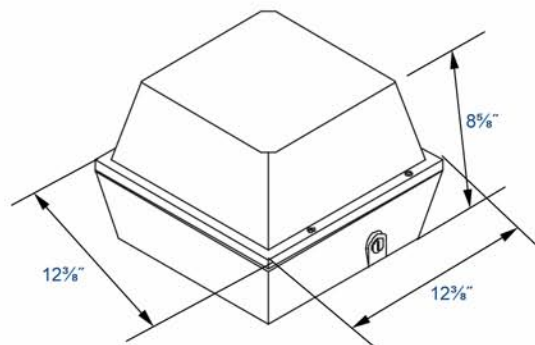
Building A Brighter Future...

Complete Units (Includes Lamp & Ballast)

Catalog #	Wattage	Voltage	Lamp	Ballast
VN40HI40U5K	40	120-277	Induction	Electronic

IN

DIMENSIONS



VN40HI

**Sun Pacific
Power Corporation**

Phone: 888-845-0242

Fax: 732-845-2141

info@sunpacificpower.com



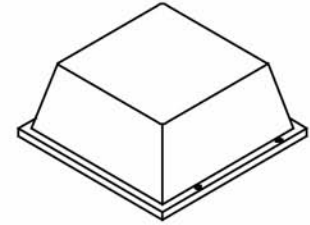
Sun Pacific Power

Building A Brighter Future...

Catalog #	Description
VN40PC4	Clear Prismatic Polycarbonate Lens with 4 Screw Holes
VNQM	Hinged Quick-Mount Bracket, Stamped Steel, Mount Over Recessed Electrical Box, or Use 3/4" NPT Downrod for Pendant Mounting. CSA Listed for Damp Location Mounting.

Induction Light Series

Large Vandal Resistant Fixture

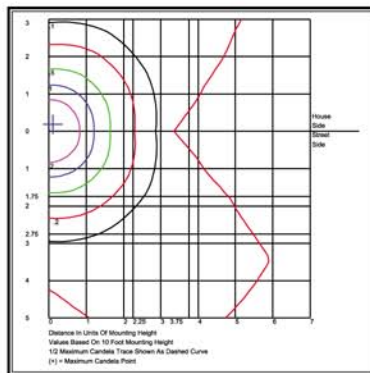


VN40PC4



VNQM

IN



VN40140W

PHOTOMETRICS

IN-104

Sun Pacific Power Corporation
 Phone: 888-845-0242
 Fax: 732-845-2141
info@sunpacificpower.com