

Induction Light Series

Large Accord Semi-Cutoff Wall Pack



WPA25I

Housing:

Die Cast Aluminum Housing & Hinged Front Frame with Stainless Steel Hinge Pins, 1/2" Coin Plugs with O-rings for Conduit & Photocell, Textured Architectural Bronze Powdercoat Finish Over a Chromate Conversion Coating, Includes Safety Cable to Prevent Front Frame Impact When Relamping

Reflector:

Aluminum Reflector

Lens:

Prismatic Borosilicate Molded Glass Lens

Mounting:

Cast-in Template for Mounting Directly Over a 4" Recessed Outlet Box, or use 1/2" Surface Conduit., Includes Easy-Hang "Two Hands Free" Wall-Mounting Plate with Leveling Device on Back

Wattage:

Induction: 40, 80 or 100w, 5000K

Listing & Ratings:

CSA: Listed for Wet Locations

For Optional Battery Backup (One PL Lamp):

BBI26 (1x26w)

BBI32 (1x32w)

BBI42 (1x42w)

Custom Colors Available Upon Request.



Sun Pacific Power

Building A Brighter Future...

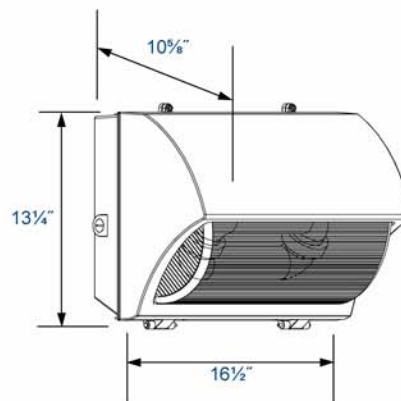
Complete Units (Includes Lamp & Ballast)

Catalog #	Wattage	Voltage	Lamp	Ballast
WPA25I40U5K	40	120-277	Induction	Electronic
WPA25I80U5K	80	120-277	Induction	Electronic
WPA25I1001205K	100	120	Induction	Electronic
WPA25I1002405K	100	240	Induction	Electronic
WPA25I1002775K	100	277	Induction	Electronic

IN

BATTERY BACKUP AVAILABLE!

DIMENSIONS



WPA25I

**Sun Pacific
Power Corporation**
Phone: 888-845-0242
Fax: 732-845-2141
info@sunpacificpower.com



Sun Pacific Power

Building A Brighter Future...

Catalog #	Description
WPA25WG	Wire Guard for WPA25

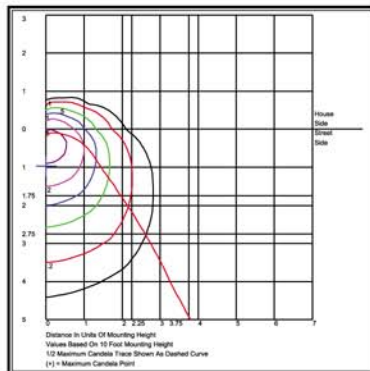
Induction Light Series

Large Accord Semi-Cutoff Wall Pack



WPA25WG

IN



WPA25180

PHOTOMETRICS

IN-56

**Sun Pacific
Power Corporation**
 Phone: 888-845-0242
 Fax: 732-845-2141
info@sunpacificpower.com